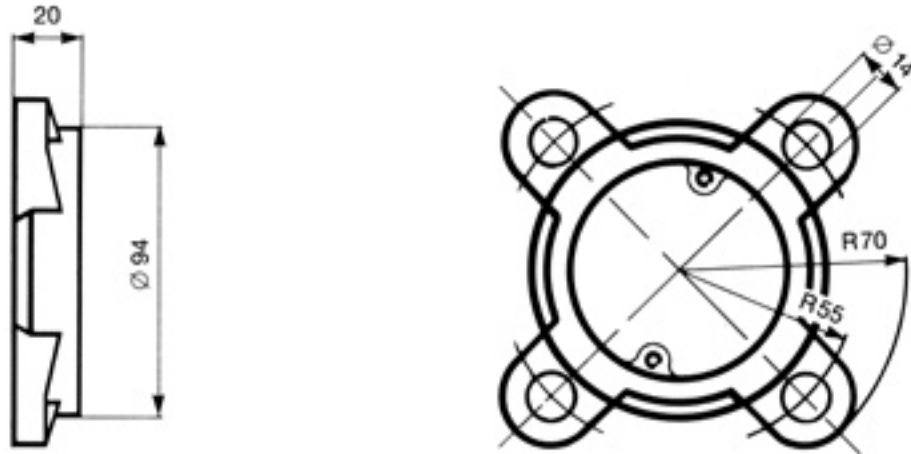
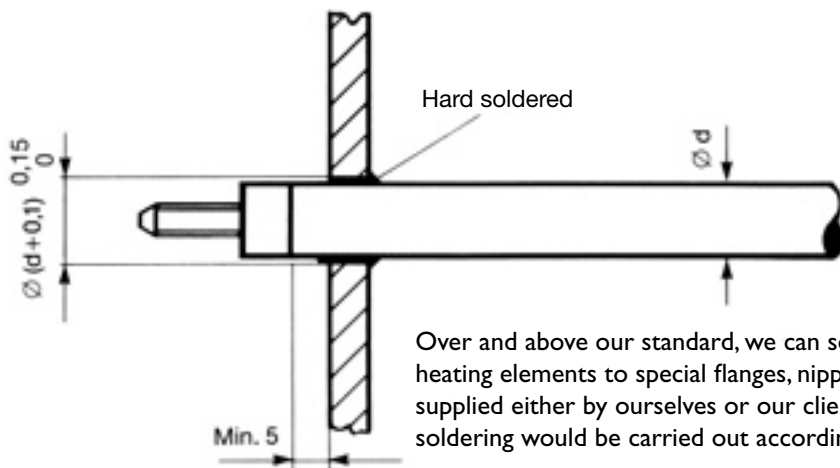


## Flange with soldered elements



Flange – PN 6 DN 50

Article number	Material
1130360001	C 36000



Over and above our standard, we can solder tubular heating elements to special flanges, nipples or plugs supplied either by ourselves or our clients. Such soldering would be carried out according to this sketch.

