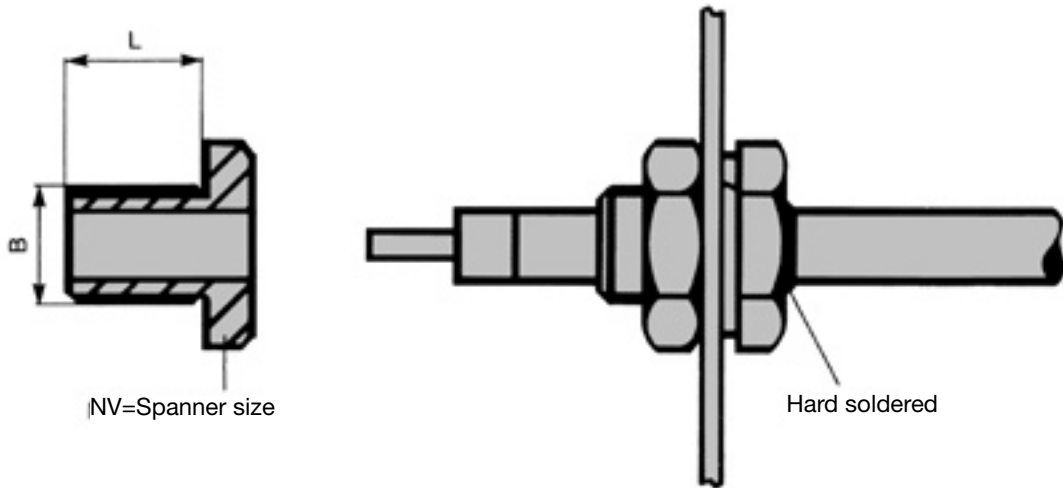


## Nipple soldered to the element



Article number	Material	Thread B	Length of thread L	Spanner size	Intended for element types		
					064	085	140
1140519801	C 36000	M 10 x 1	12	17	X		
1140519803	AISI 303	M 10 x 1	12	17	X		
1140536002	C 36000	M 12,5 x 1,5	16	18	X		
1140536003	AISI 303	M 12,5 x 1,5	12	17	X		
1140722801	C 36000	M 12 x 1	20	17		X	
1140723202	SS 1912	M 14 x 1,5	15	19		X	
1140723206	SS 1912	M 14 x 1,5	40	19		X	
1140723208	AISI 303	M 14 x 1,5	12	19		X	
1140723209	AISI 303	M 14 x 1,5	15	19		X	
1140723210	AISI 303	M 14 x 1,5	20	19		X	
1140723211	AISI 303	M 14 x 1,5	25	19		X	
1140723213	AISI 303	M 14 x 1,5	40	19		X	
1140723217	C 36000	M 14 x 1,5	12	19		X	
1140723218	C 36000	M 14 x 1,5	15	19		X	
1140723219	C 36000	M 14 x 1,5	20	19		X	
1140723220	C 36000	M 14 x 1,5	25	19		X	
1140723221	C 36000	M 14 x 1,5	30	19		X	
1140723222	C 36000	M 14 x 1,5	40	19		X	
1140574102	C 36000	M 14 x 1,5	10	Ø 18	X		
1140544901	C 36000	Pr 18,6	15	26			X
1140544903	AISI 303	Pr 18,6	15	27			X
1140711501	SS 1912	Pr 18,6	17	Ø 31			X
1140550301	C 36000	R ½"	15	26			X
1140550302	AISI 303	R ½"	15	26			X

